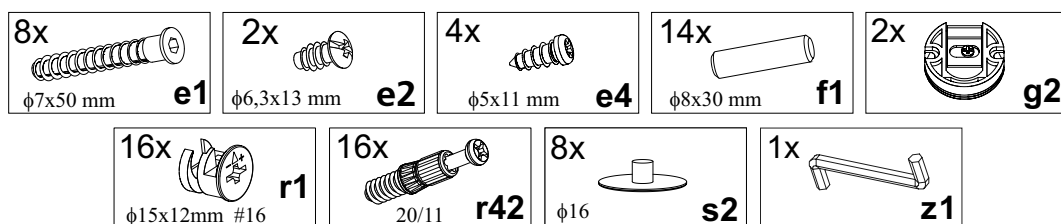
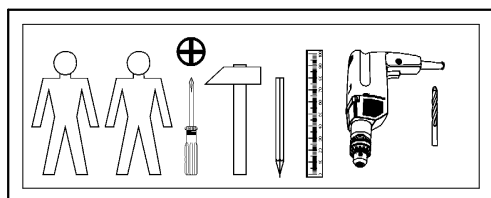
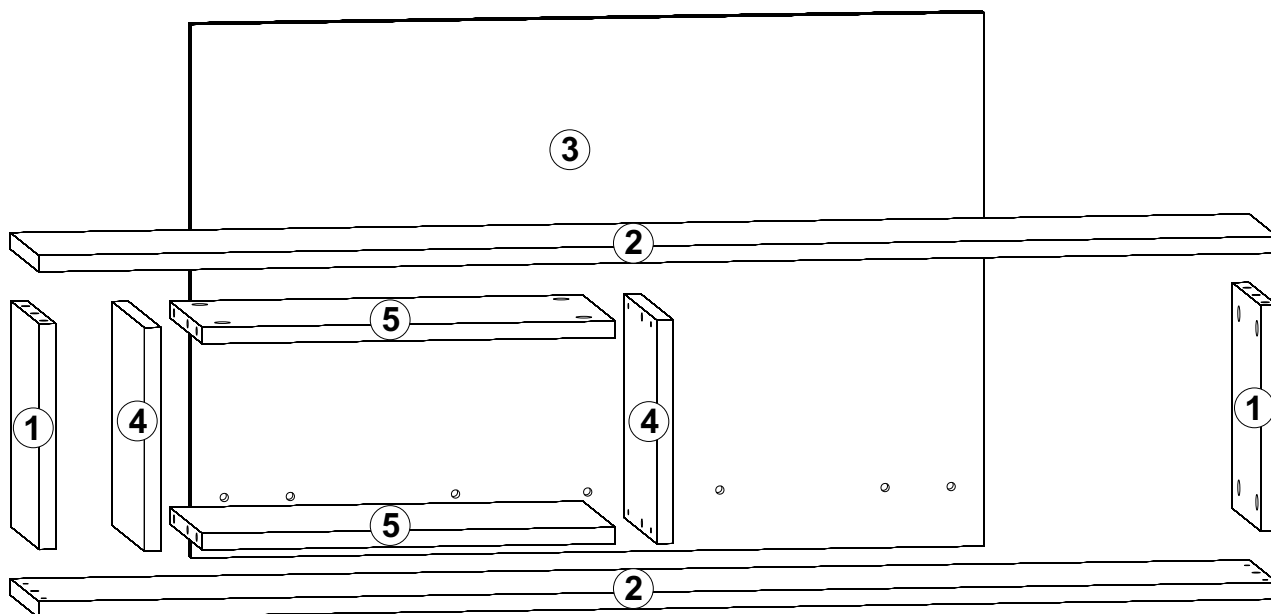
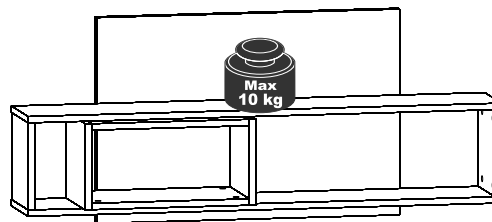
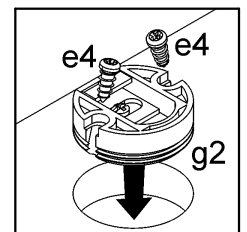
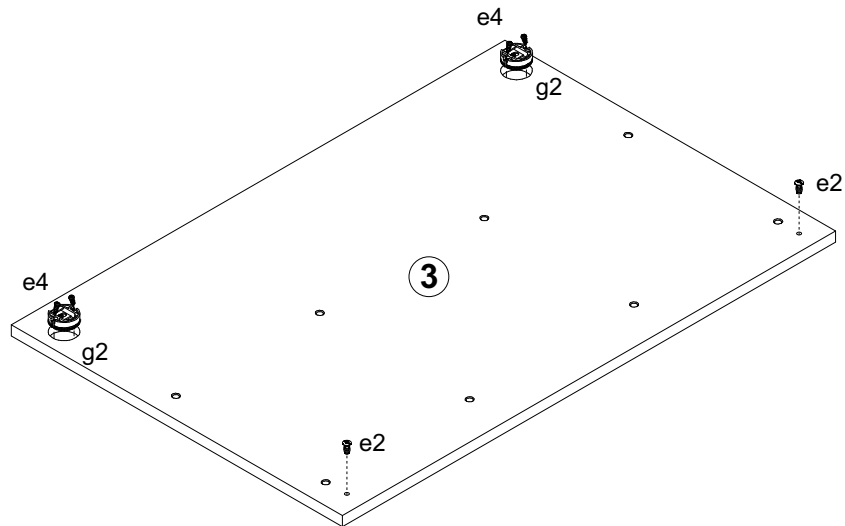


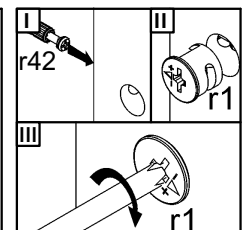
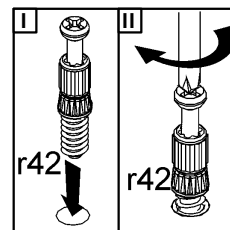
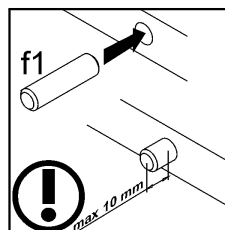
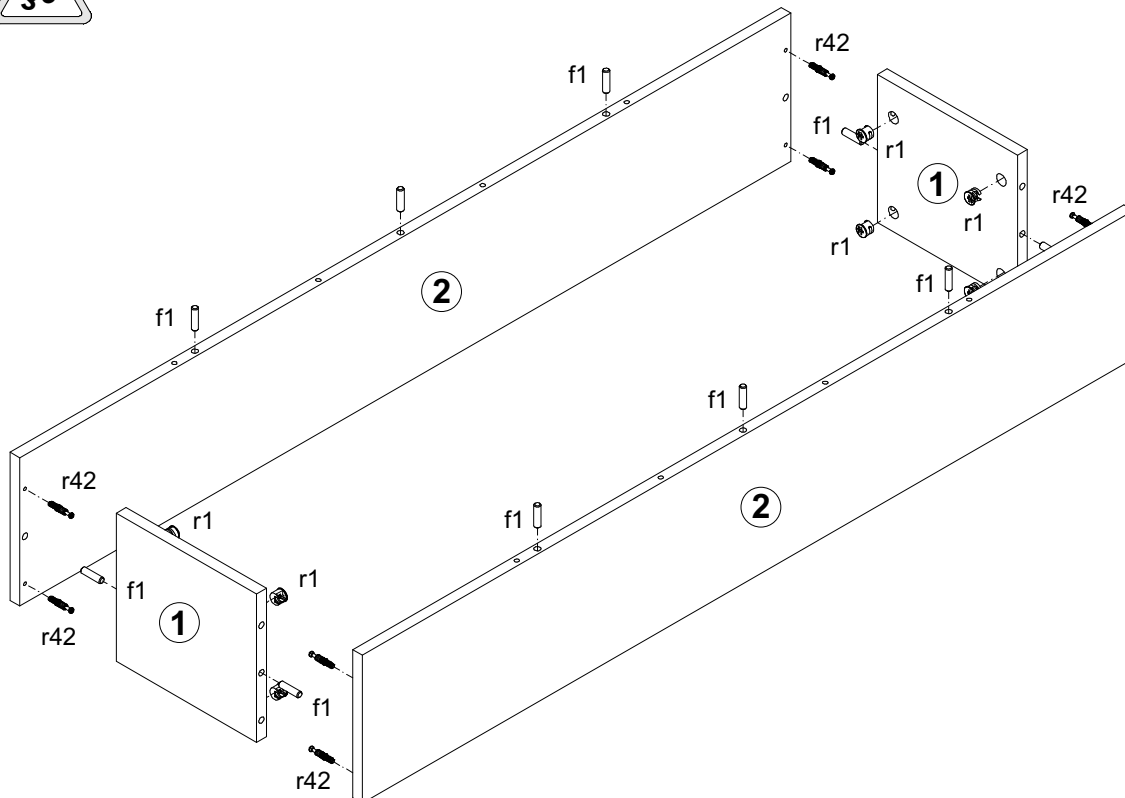
A	B	C		D
1	NI1-123	218	200	1/3
2	NI1-205	1200	200	1/3
3	NI1-406	515	768	2/3
4	NI1-122	216	230	3/3
5	NI1-318	400	230	3/3

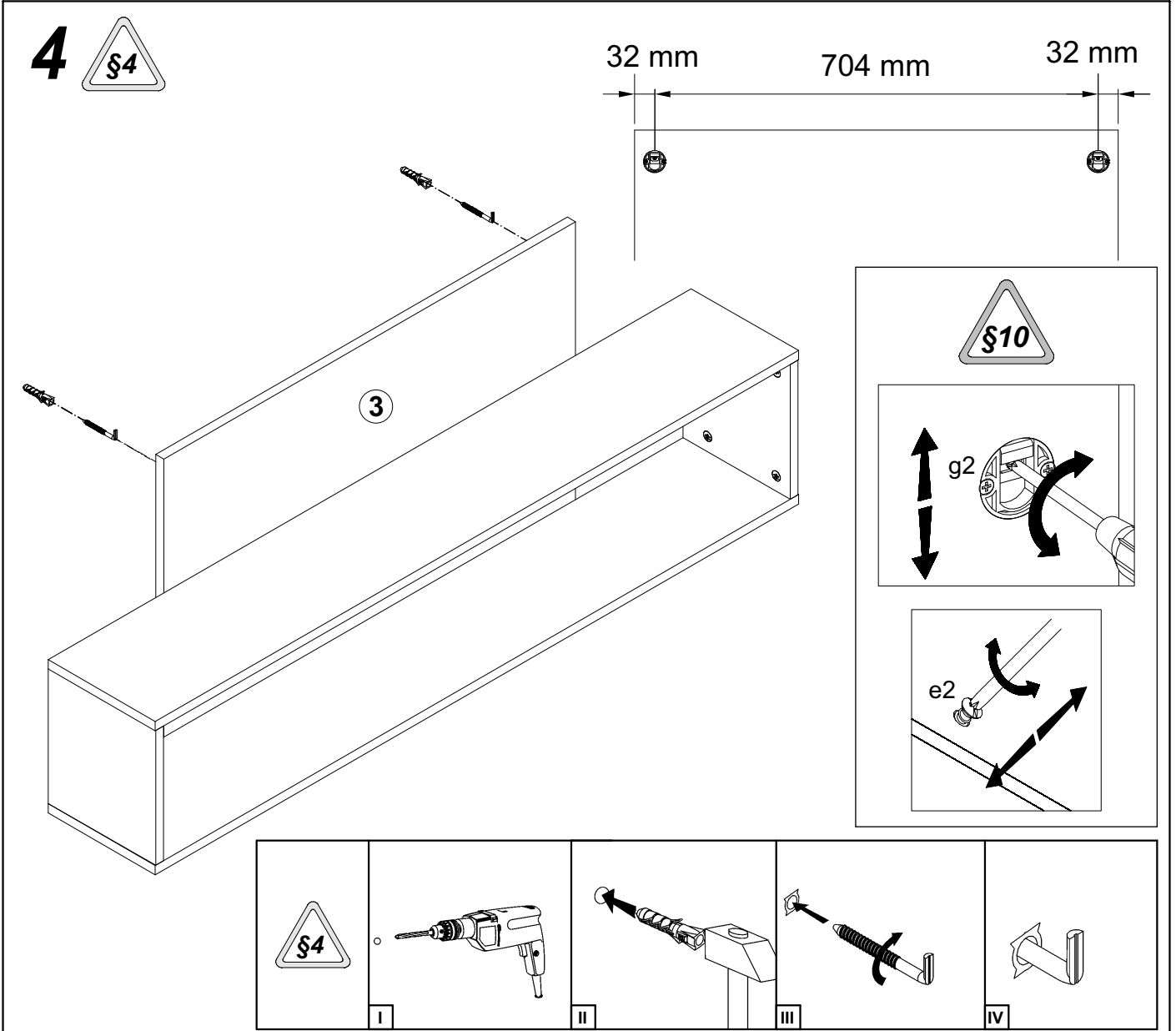
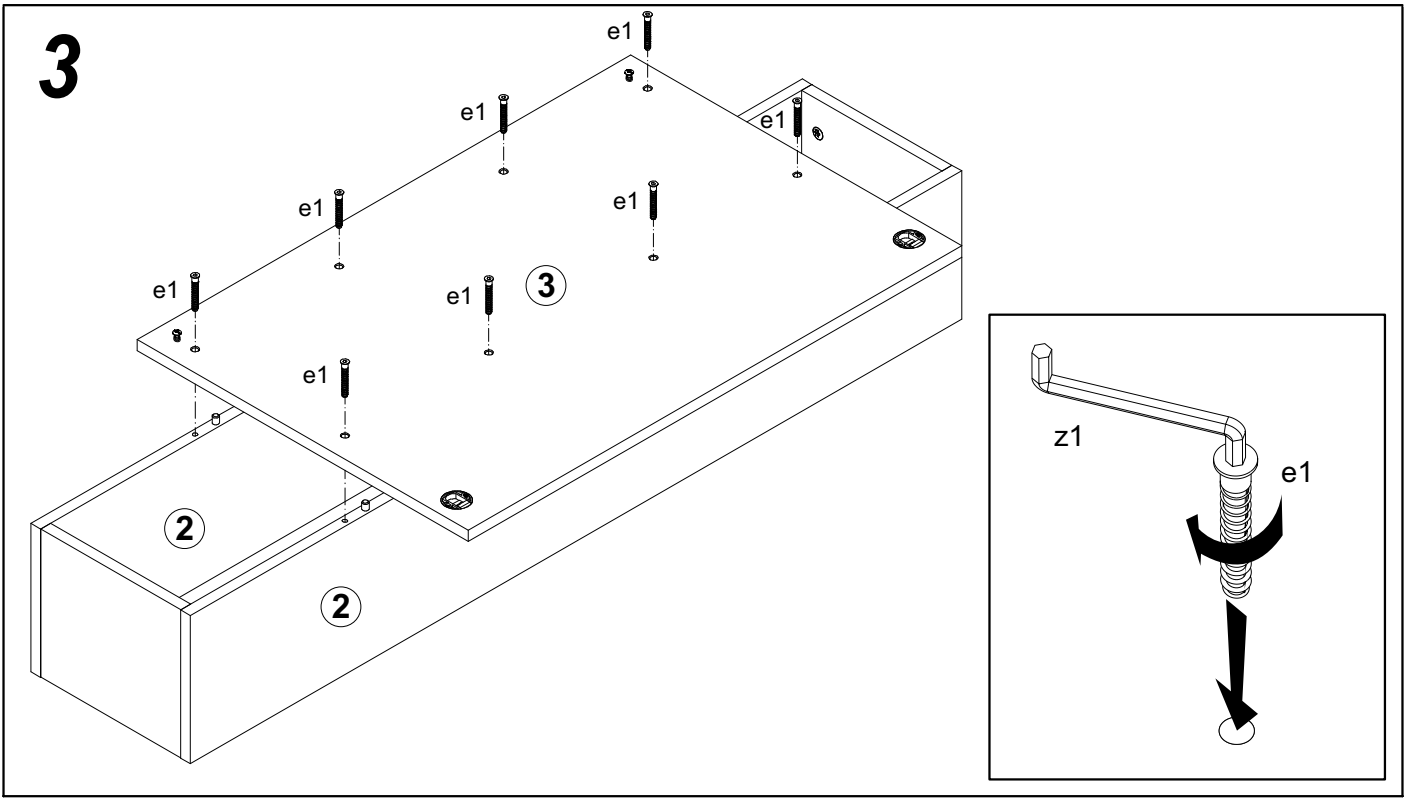


1

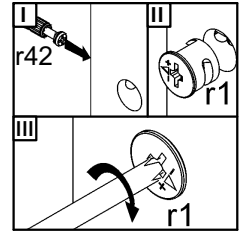
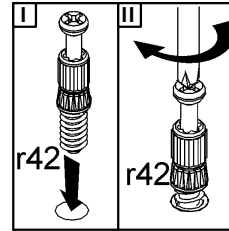
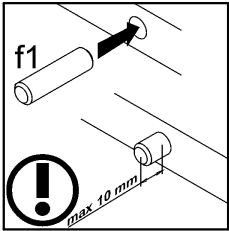
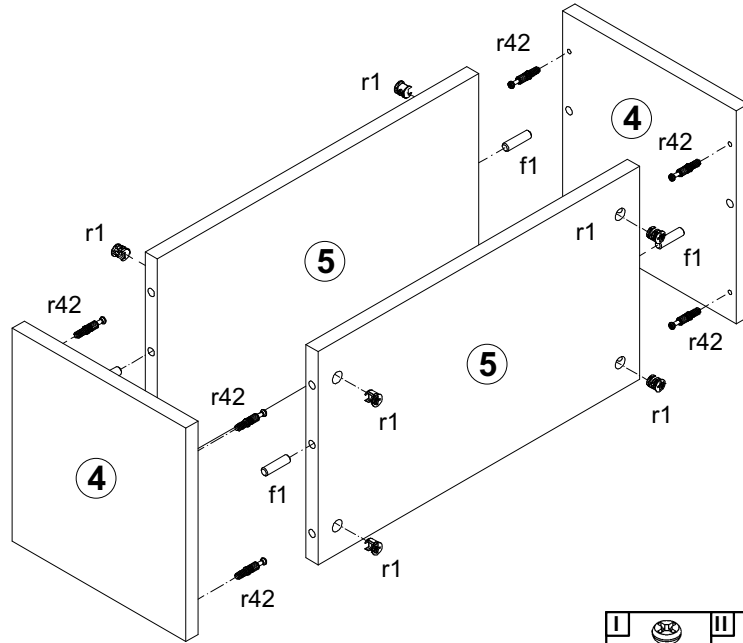


2





5



6

